

Outdoor Temperature Sensor

Part Number:

KWE 711 050

Vi 7416 057

Applicable Controls:

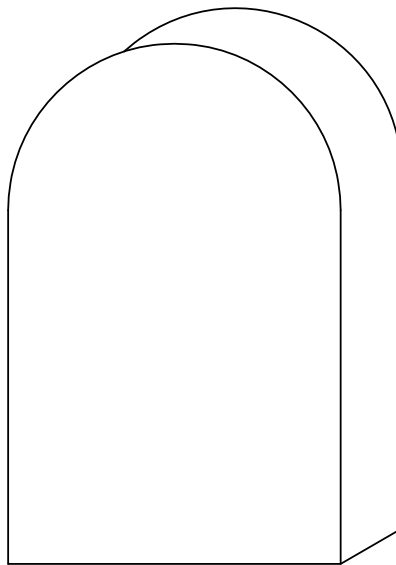
Versatronik 200 System Controller

Versatronik Como OT

Viessmann Vitodens 100-W, WB1B



Installation Datasheet



IMPORTANT

Read and save these instructions for future reference

K-W Technologies Group
750 McMurray Road
Waterloo, Ontario, Canada
N2V 2G5

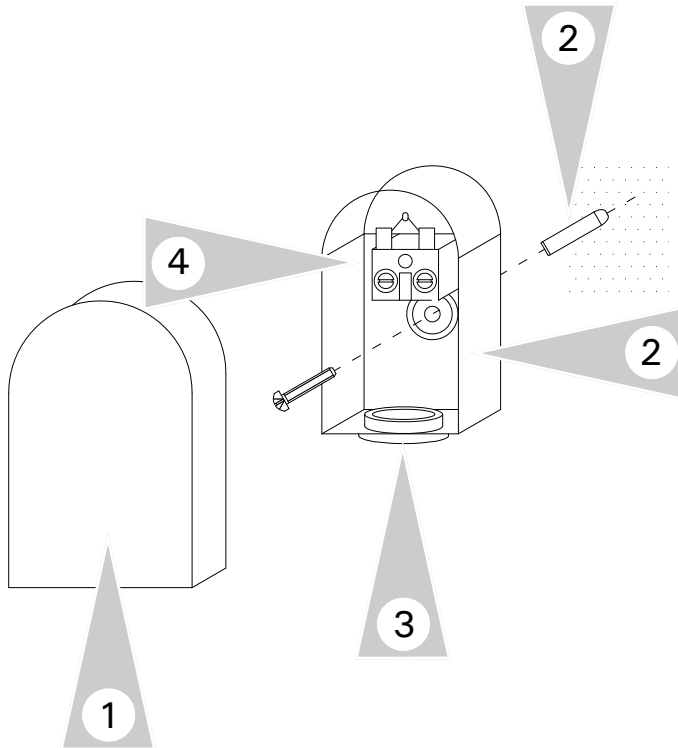
Tel: (519) 747-5042

Fax: (519) 747-4448

www.kwe-tech.com

info@kwe-tech.com

Outdoor Sensor Installation



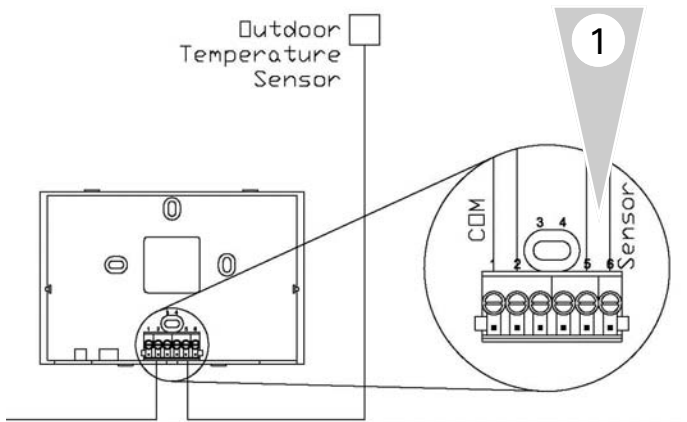
Installation Overview

The outdoor temperature sensor should be mounted 2 to 2.5m / 6.5 to 8 ft above ground level on the north or north-west facing wall of the building. In the case of multi-storey buildings, it should be mounted in the upper half of the second storey. Make sure that the sensor is not located over windows, doors and air vents, nor immediately beneath a balcony or guttering. Do not paint over the outdoor temperature sensor housing.

Installation Instruction

1. Remove cover from outdoor temperature sensor.
2. Mount rear section of sensor to outside wall following guidelines with field supplied hardware.
3. Insert wire into the bottom of sensor housing strain relief.
4. Connect wire to sensor terminals and tighten.
5. Reinstall cover onto sensor.

Control Connections Versatronik Como OT



Installation Instruction

1. Wire outdoor temperature sensor to terminals 5 and 6 of Como OT sub-base.



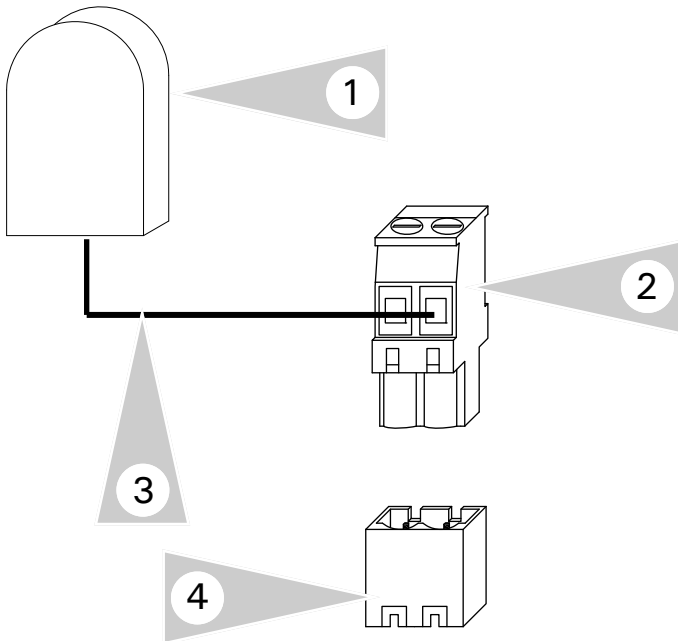
WARNING

When extending wire there is the possibility of exposure to electromagnetic interference. Avoid running wires beside or near high voltage 120/240 VAC conductors. If proximity to high voltage conductors cannot be avoided, use stranded, twisted pair of shield design wire. Ensure that only one end of the shielding is grounded.



Outdoor Sensor Installation

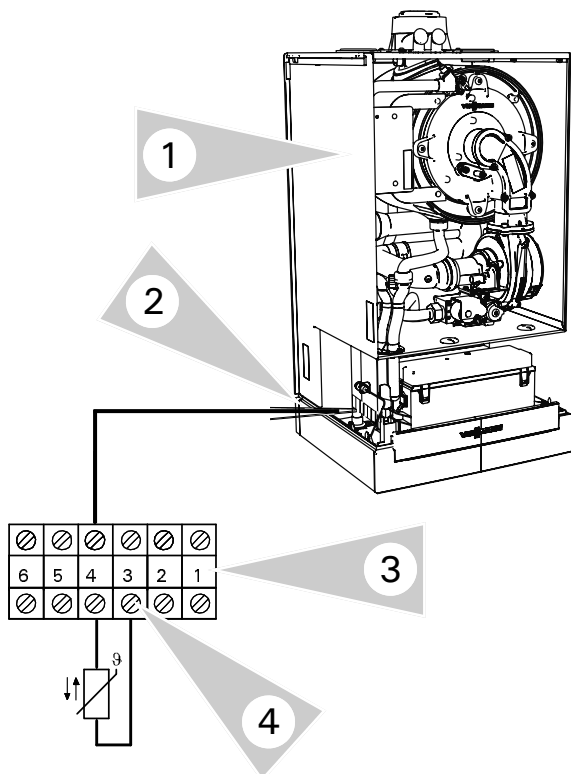
Control Connections Versatronik 200



Installation Instruction

1. Interconnection of newly installed sensor to control.
2. Field supplied wiring between control and sensor.
3. Connect wire to supplied 2 pole plug. Tighten terminals.
4. Plug 2 pole plug into F9 socket.

Control Connections Viessmann Vitodens 100-W, WB1B



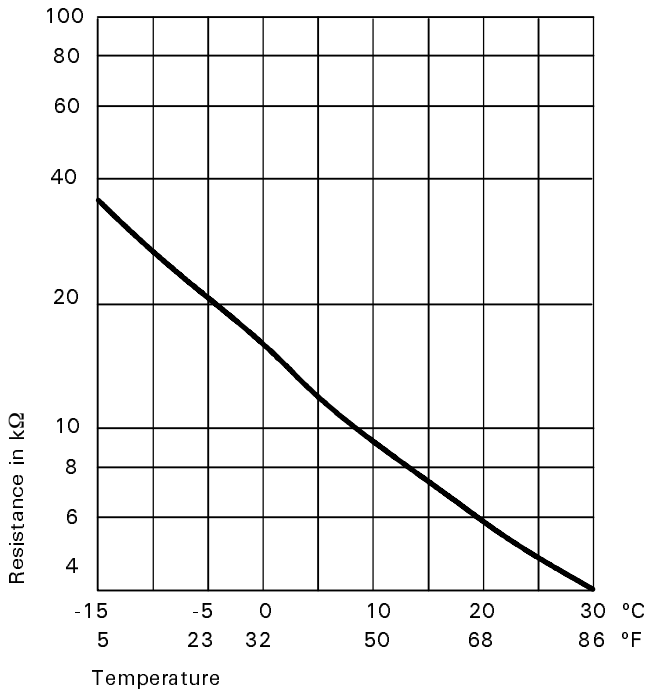
Installation Instruction

1. Refer to boiler manual and remove cover from boiler and set aside.
2. Locate the wiring harness with the 6 pole terminal block attached.
3. Locate the wire marker denoting terminal 1.
4. Wire the outdoor air temperature sensor to terminals 3 and 4.



Technical Information

Graphical and Chart for of Outdoor Sensor Resistance Characteristics



Temperature		5Kohm NTC
-60°C	-76°F	698961 Ω
-50°C	-58°F	333908 Ω
-40°C	-40°F	167835 Ω
-30°C	-22°F	88340 Ω
-20°C	-4°F	48487 Ω
-10°C	14°F	27648 Ω
0°C	32°F	16325 Ω
10°C	50°F	9952 Ω
20°C	68°F	6247 Ω
25°C	77°F	5000 Ω
30°C	86°F	4028 Ω
40°C	104°F	2662 Ω
50°C	122°F	1801 Ω
60°C	140°F	1244 Ω
70°C	158°F	876 Ω
80°C	176°F	628 Ω
90°C	194°F	458 Ω
100°C	212°F	339 Ω
110°C	230°F	255 Ω
120°C	248°F	194 Ω

KWE P/N XXXX Outdoor Temperature Sensor V1.2.06/2009 Technical information subject to change without notice

KWE Technologies Group
 750 McMurray Road
 Waterloo, Ontario, Canada
 N2V 2G5
 Tel: (519) 747-5042
 Fax: (519) 747-4448
 www.kwe-tech.com
 info@kwe-tech.com



CAUTION

When measuring the resistance of the outdoor temperature sensor, ensure that the digital multimeter is set on the correct setting. At least one wire has to be removed from the sensor to ensure an accurate resistance reading. Be aware of the current ambient temperature that the sensor is exposed to with respect to knowing the resistance during the check.

